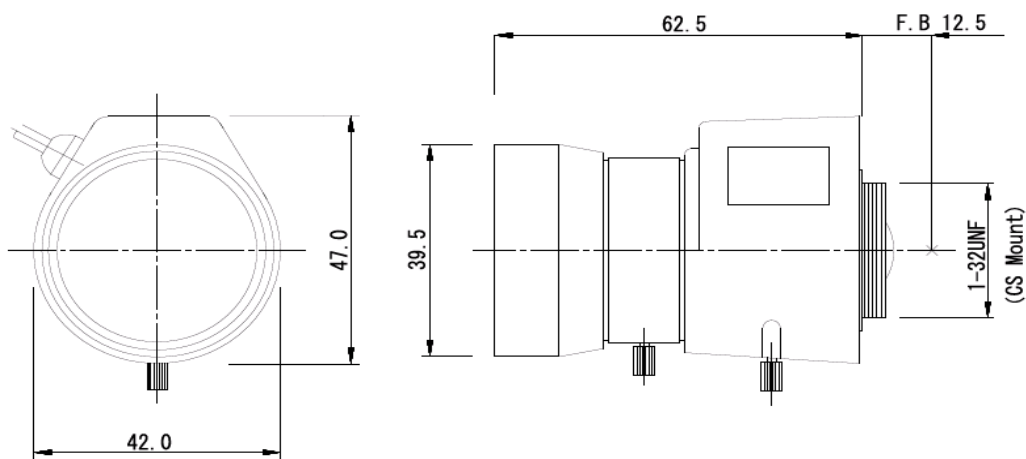


Kawaden CCTV LENS

KV0560D

**A multi task long focus
6-50mm lens for Day and Night use**

**5-60mm F1.6-360 Varifocal Lens
DC Auto Iris**



Specifications

Model No.	KV0560D	Flange Back Length	12.5mm	
Focal Length	5-60mm	M.O.D.	0.3m	
Max. Aperture Ratio	1:1.6-360	Dimensions	42(W) x 47(H) x 62.5(L) mm	
Image Format	1/3 inch	Weight	123g	
Mount	CS mount	Operating Voltage	Open	Less than 4.0V
Operation	Iris	DC Auto Iris	Close	More than 0.5V
	Focus	Manual	Operating Temperature	-10C - +50C
	Zoom	Manual	Wave Length Covered	400nm - 900nm
Angle of View (1/3")	D	65.5° - 5.8°		
	H	52.5° - 4.6°		
	V	39.4° - 3.4°		

Specifications are subject to change without notice

Kawaden Co., Ltd.